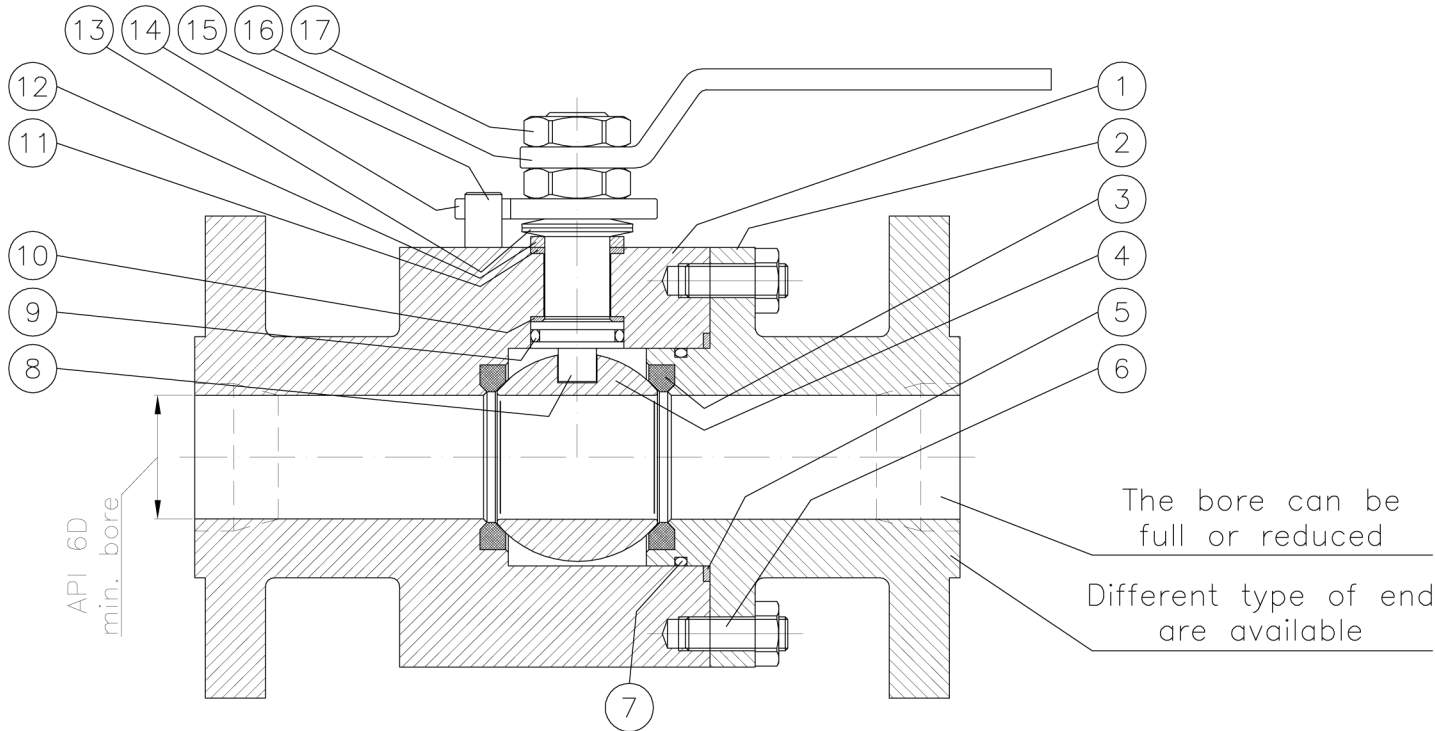


TYPICAL DRAWING

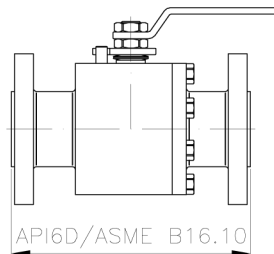
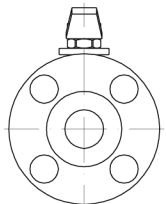
# Art. BF150

Floating Ball Valve/  
side-entry/bolted construction

DIFFERENT SIZES,  
PRESSURE CLASSES AND  
MATERIALS ARE AVAILABLE AS PER  
OUR QUOTATION

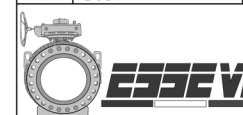


Fire safe construction



## BILL OF MATERIAL

POS.	PART NAME	MATERIAL	NOTE
20	/		
17	NUT		
16	LEVER		
15	STOP PIN		
14	STOP SECTOR		
13	SPRING WASHER		
12	RING		
11	GASKET		
10	GASKET		
9	O-RING		
8	STEM		
7	O-RING		
6	BOLT		
5	GASKET		
4	BALL		
3	SEAT		
2	BODY END		
1	BODY		



Denomination:  
**FLOATING BALL VALVE Art. BF150**  
 Lever operated – Full bore  
 Standard construction  
 Drawing:  
**BF150ST-L-F** Rev.:  
**00**