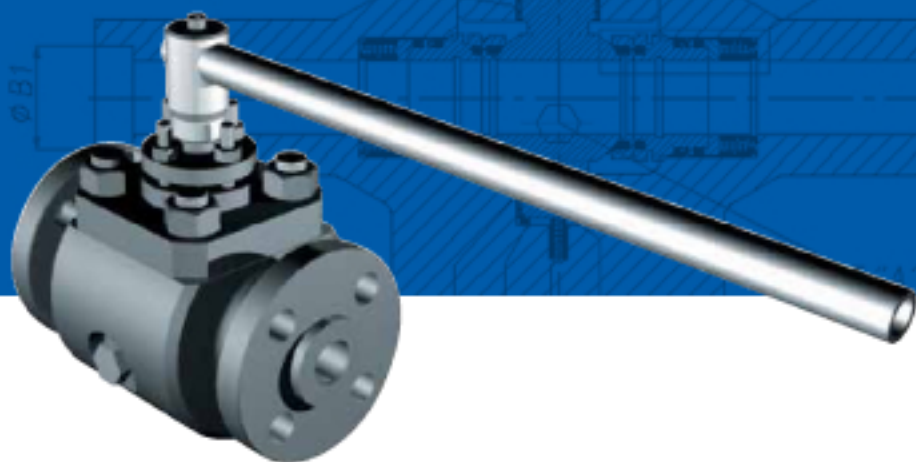


# BT300



## TOP-ENTRY TRUNNION BALL VALVE



### Range of Production:

- SIZE from ½" to 24" (based on the pressure class)
- PRESSURE CLASS  
ANSI 150-300-600-900-1500-2500  
OTHER standard or non-standard pressure classes are optional ON REQUEST

### Standard Features:

- Full or Reduced bore
- Bi-directional
- Soft seat
- Bubble tight seal
- Stem sealant injection
- Automatic body cavity pressure relief
- Anti-blow out stem
- Antistatic device
- Fire Safe design
- O-Ring on primary sealing – Graphite on secondary sealing
- Flanged ends (RF – RTJ)
- Drain plug
- Vent valve (on 6" and larger)
- Seat sealant injections points (on 6" 600 and larger)
- Lever or gear operated (depending on size and class)

### Available Features:

- Metal to Metal seat
- Double-piston effect seats
- Lip-seal on primary sealing
- Graphite packing on stem sealing for FET
- Locking device
- Welded or clamped ends
- Drain valve
- Extended stem
- Pneumatic actuator, single or double action
- Hydraulic actuator
- Electric actuator
- Gas over oil
- Bare stem (top-mounting flange to ISO 5211)

